



Bridge Abutments

Factbook



Cover page:

Bicycle path, Poland. © Tomasz Herud of Gliwice Bike Council.

Table of contents

Executive summary	2
1. Introduction	3
2. Advantages	4
3. Design aspects	5
4. Value engineering	6
4.1. The knife edge support (capping beam)	6
4.2. Bearing resistance assessment	7
4.3. Durability	7
5. Sustainability	8
5.1. Holistic life cycle analysis of bridges	8
5.2. Life cycle assessment and global warming potential	11
6. Innovation	12
6.1. New concept for modular composite bridges with integral sheet piling abutments	12
6.2. Structural health monitoring	13
7. Case studies	14
8. Conclusion	17
9. References	18

Executive summary

Bridges, designed to last over a lifetime, must also account for long-term challenges such as fatigue and the ability to bear heavier loads. This highlights the need for durable infrastructure that can withstand modern transportation demands, while minimizing traffic disruptions during repairs or replacements.


Steel sheet pile bridge abutments offer significant benefits in this regard. They provide durable and flexible foundations, which can reduce construction time and costs while enhancing resilience against additional traffic loads, geohazards and effects of climate change. Their ease of installation and ability to accommodate adjustments also make them ideal for minimizing traffic disturbances during maintenance work.

Europe's vast network of highways and railways faces the urgent challenge of replacing, or upgrading, thousands of ageing bridges, which will inevitably impact traffic flow. A comparative study undertaken by the Karlsruhe Institute of Technology (KIT) in 2018 underscored the advantages of bridges designed with sheet pile abutments.

These benefits included:

- An 8% difference in the overall construction costs.
- A residual 5 % advantage in life-cycle costs over a 100-year period.
- Up to 27 % construction cost savings associated to the impact of external factors during the structure's lifetime.
- A confirmed reduction of at least 10 % in total construction time for bridges utilizing sheet pile abutments compared to those with temporary shoring.
- The environmental impact of steel sheet pile vs reinforced concrete abutments differ by 36 %, leading to a 12 % difference in the global warming potential of the overall bridge structure.

Incorporating steel solutions, such as steel sheet piles in bridge abutments, offers greater flexibility and durability against various natural and man-made risks.



1. Introduction

Steel sheet pile bridge abutments for new and/or replacement bridges can be aesthetically pleasing, robust, sustainable, and cost-effective. Using embedded steel sheet piling for constructing road and railways bridge abutments provides a flexible and permanent foundation solution as shown in Fig. 1.

Sheet piles have been utilized for over a century to construct reliable and cost-effective permanent and temporary structures, including quay walls, breakwaters, locks, canals, and retaining walls for buildings and infrastructure. These structures primarily endure horizontal loads caused by earth and water pressures. Occasionally, minor vertical loads are also transferred to the walls, stemming from the vertical component of earth pressures or battered anchors.

In certain scenarios, sheet piles are specifically designed to withstand significant vertical loads, akin to HP bearing piles. These loads are transferred into the soil through friction and/or point resistance. The loads can be static or dynamic, permanent or variable, depending on their source. Examples include crane loads on quay walls, building loads when sheet piles serve as deep foundations and traffic loads in bridge abutments.



Fig. 1. Steel sheet pile (ca. 300 t of AZ 50) bridge abutment (Swarzędz, Poland).

2. Advantages

Sheet piles offer an accelerated method for bridge construction, minimizing network disruption. Bridges serve to span physical obstacles, and their designs vary based on function and terrain. Bridge abutments serve two main purposes: supporting vertical loads from the bridge superstructure and acting as foundations for the substructure.

In addition to being fully recyclable and contributing to the circular economy, steel sheet piles offer several advantages in bridge abutment design and construction:

- Faster execution time compared to alternatives [1].
- Ability to be installed ahead of other construction activities.
- No need for excavation for foundations.
- Immediate load-bearing resistance.
- Potential for aesthetic enhancements.

Abutments made from sheet piles are particularly cost-effective when a piled foundation is necessary or when construction speed is crucial. In some scenarios, a steel sheet pile wall can serve as a temporary structure, such as for keeping excavation areas dry. Such solution can fulfill both temporary and permanent design requirements, reducing overall costs and construction time [2].

A typical section showing a steel sheet piles abutment, wing walls and pier, is illustrated in Fig. 2. Anchorage (passive anchors) may be required depending on the bridge deck height but also for optimization of the steel sheet pile section profile.

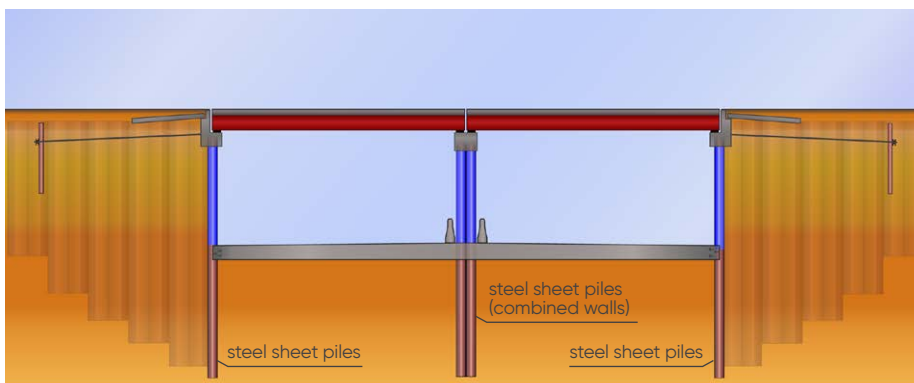


Fig. 2. Typical section of a steel sheet piles bridge abutment and pier structure.

3. Design aspects

Steel sheet piles effectively withstand significant vertical actions and securely transfer them into competent ground. The primary vertical actions are dictated by the design of the bridge deck. These reactions, known as combined loads (permanent and variable), along with the influence of earth and water pressures (also temperature in the case of integral bridges) are considered in the dimensioning of the abutments and wing walls as well as the capping beams. In the case of more onerous loads a combined wall (Fig. 3) such as the HZ[®]-steel wall system may be required for higher stiffness and higher bearing resistance [3].

However, the challenge lies in evenly distributing the loads from the bridge deck into the sheet pile sections without incurring additional costs, such as those associated with discrete bearings.

Fig. 3. Example of a conventional road bridge abutment using combined sheet pile walls (high stiffness) and discrete bearings (Hamburg, Germany).



4. Value engineering

4.1. The knife edge support (capping beam)

The design of an easy-to-execute capping beam for load transfer, directly concreted on top of the steel sheet pile wall, is essential. The solution for the construction of such capping beam is to use the so-called Knife Edge Support (KES), that withstands and transmits vertical and horizontal static loads as well as vertical fatigue loads into the sheet pile wall, while managing an optimised reinforcement ratio.

The KES is a verified reinforcement empirical design approach based on experimental test campaigns that achieves an optimised degree of reinforcement, when compared to an Eurocode design. Using this method means that the reinforcement doesn't need to be welded to the sheet pile, nor go through cut holes, nor require welded studs on the steel sections as shown in Fig. 4. These advantages ensure a cost-efficient design that is also fast and easy to install on site.

The National Technical Approval (NTA), which is called nowadays «Allgemeine Bauartgenehmigung» in German, was granted by the German authorities DIBt with the reference number Z-15.6-235 [4]. The method was derived by an extensive and development research programme lead by ArcelorMittal's R&D department in Luxembourg and carried out in collaboration with the University of Darmstadt as well as Hegger + Partner Ingenieure from Aachen, Germany.

In this project, several small-scale tests (20 No. samples considering two different sheet pile thicknesses and two different concrete's classes) and full-scale tests (10 No. tests with a PU 6 profile and C20/25 concrete) were performed, to analyse the vertical and horizontal load transmission throughout the connection, and to compare its behaviour to a standard reinforced capping beam.

The KES has been tested and approved for static and «non-static» vertical as well as for static horizontal loads thus, it has not been verified for uplifting forces, nor for external torsional moments. The reinforced concrete body should always fulfil the minimum reinforcement criteria required in the local regulations and national standards, as well as other geometrical requirements. The rules given in the NTA are to be considered as minimum requirements to follow.

There are two types of capping beams:

- **Simple connection** - capping beams are not able to transmit bending moments. Therefore, it can only be used if the external loads transmitted to the sheet pile wall are vertical and centered on the neutral axis of the sheet pile.

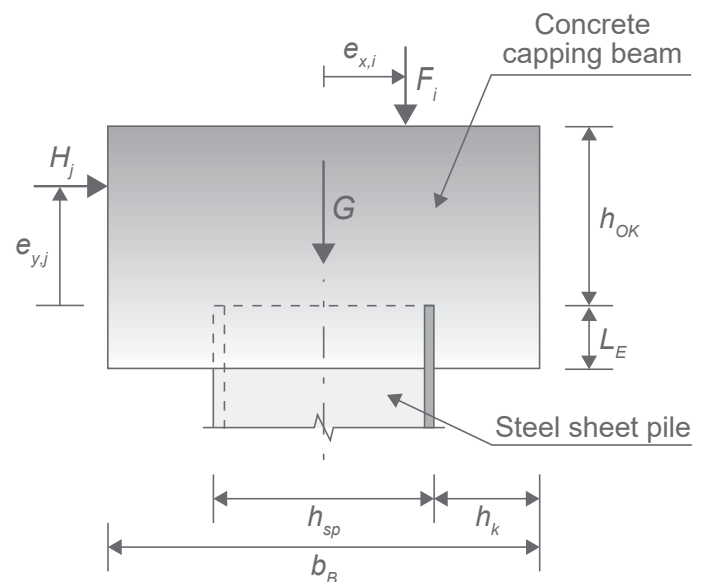
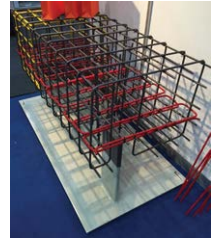


Fig. 4. Knife Edge Support capping beam and prototype.

- **Fixed connection** - capping beams are required in situations with horizontal loads and/or where eccentric vertical loads occur (vertical load F_k not aligned with neutral axis of the sheet pile).

Designing a capping beam with the KES method offers a cost-effective solution for ensuring adequate load transmission from the superstructure to the steel sheet pile wall and the ground. For comparison, a capping beam designed according to the European code EN 1992 permits a maximum vertical load of 625 kN/m, whereas the KES-designed beam allows for 1,475 kN/m, representing a 136 % increase.

Capping beam designs based on the KES method can transfer vertical loads up to 3,834 kN/m into a simple sheet pile wall (AZ 50), suitable for small to medium bridge spans [5].

ArcelorMittal developed the software VLoad® to simplify the design according to the German NTA. VLoad allows the designer to quickly calculate the connection between the concrete capping beam and the sheet pile section,

as well as to prepare drawings of the necessary steel reinforcement, including the geometry of the capping beam. This user-friendly software is available for free on sheetpiling.arcelormittal.com/download-center/software-vload

4.2. Bearing resistance assessment

Various bridge loading conditions result in reactions critical for the bridge abutment design. These reactions, combined with soil and water table effects on the sheet pile wall, guide the verification of the sheet pile wall. There are two primary methods to introduce vertical loads into the soil: through friction along the sheet pile section perimeter and via base resistance, depending on the plugging effect assumptions [6].

Determining the bearing resistance of steel sheet pile abutments is closely tied to ground investigation results. The quality of ground condition information outweighs the precision of calculation models and partial factors

employed. Steel sheet pile abutments offer the advantage of bearing resistance verification during installation, through methods such as measuring driving refusal or using a Pile Driving Analyzer (dynamic load testing). Structural integrity verification is also possible using a declutching detector [7].

4.3. Durability

The durability of sheet pile abutments depends on the environmental corrosivity over their lifetime. Steel sheet piles benefit from being mostly buried in the ground, where corrosion rates are negligible, typically 2.4 mm over 100 years as per Eurocode 3-5 [8].

In more aggressive environments (salt splashing), several mitigation options are available, including allowing for loss of thickness (sacrificial steel) in the design, organic coating, hot-dip galvanizing, and special «weathering» steel grades.

The classical corrosion protection for sheet piling is surface coating. EN ISO 12944 [9] deals with protection by paint systems and its various parts cover all the features that are important in achieving adequate corrosion protection [10] albeit, accounting for sacrificial steel loss over the section's design life is the most common approach.

5. Sustainability

Adopting a holistic approach that integrates design and construction costs, life cycle costs (LCC), life cycle assessment (LCA), and life cycle performance (LCP) is essential for selecting the optimal solution in each situation. Additionally, factoring in indirect environmental and economic impacts stemming from delays, increased fuel consumption, and air pollution due to traffic congestion during the bridges' lifecycles is imperative.

Choosing designs with reduced construction times and low maintenance requirements emerges as a priority, particularly when considering the cost of external effects. This becomes even more crucial with the anticipated increase in construction sites, as infrastructure investments in Europe are expected to surge in the coming years.

5.1. Holistic life cycle analysis of bridges

A comparative study, undertaken by the Karlsruhe Institute of Technology (KIT) in 2018, assessed all associated costs and performance of a bridge whose abutments were constructed using steel sheet piles (Option 1) versus a traditional reinforced concrete bridge (Option 2) [11].

This analysis delved into economic and environmental factors across the entire life cycle, encompassing construction, service life, and end-of-life considerations, including material consumption on-site and repair and maintenance strategies based on bridge degradation.

The steel sheet pile abutments reduced the construction schedule by 32 No. working days as shown in Fig. 5. Detailed analysis of the construction process is necessary to avoid overestimating time savings, but at least a minimum of 10 % savings in construction time can be assumed [12].

Additionally, traffic management during construction, especially on a 2+2 lane road, significantly reduces road capacity and increases external costs.

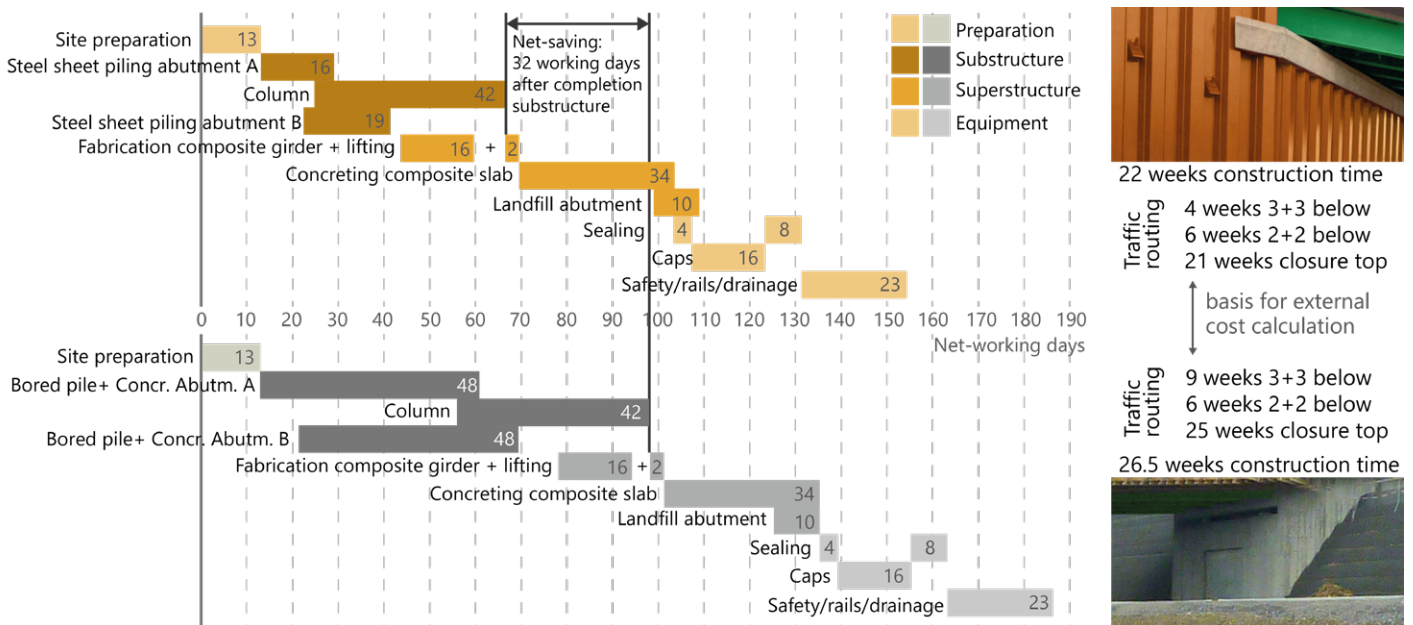


Fig. 5. Comparison of construction schedule and resulting traffic management as basis for external cost calculation.

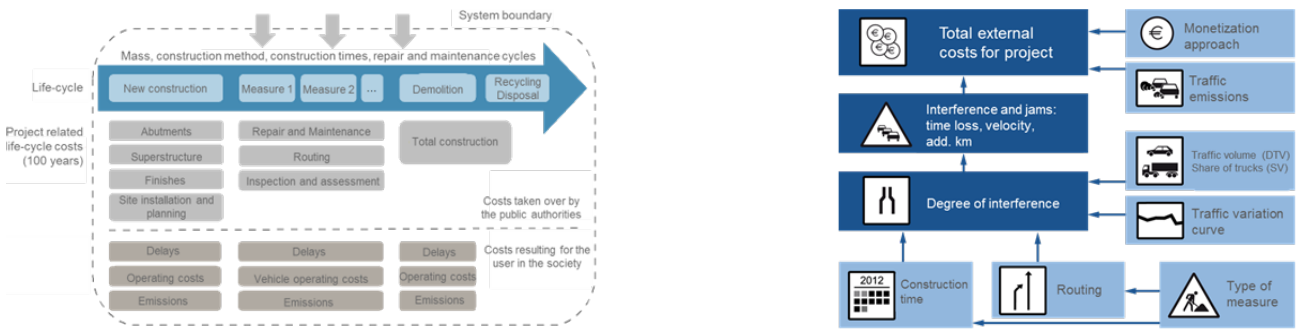


Fig. 6. Applied cost components for the life-cycle cost analysis (left). Calculation flow for the estimation of external user costs or costs for the society (right).

Additionally, the study integrated external effects, known as user costs, into its life cycle analyses. To estimate these societal costs, a deterministic macroscopic calculation model was applied, covering production, usage, and dismantling phases [13]. The applied costs components covered are shown in Fig. 6.

The model is adaptable for all traffic guidance and loads, though results depend on local conditions. For monetization, a rate of € 20/h for traffic jam time was used [14]. The life-cycle approach evaluates whether higher initial construction costs can reduce during utilization.

The calculations are based on a real bridge built with a reinforced concrete abutment. Given the ground conditions, an AZ 24-700 section was chosen and met all requirements. Construction time is crucial for infrastructure interacting with

traffic, especially with high daily traffic loads, where external costs can surpass direct construction costs.

To quantify the economic advantages of bridges with sheet pile abutments, 16 No. conceptual variants were assessed. These variants included conventional abutments with concrete foundations compared to sheet pile abutments, and superstructures made of reinforced concrete compared to prestressed prefabricated concrete elements, as well as steel-concrete composite decks with either welded beams or hot-rolled sections for the steel girders.

The study focused on a two-span superstructure with 22.50 m spans and an 11.50 m width, designed for a national road crossing a 3-lane motorway with an average daily traffic (ADT) of 70,000 vehicles, as shown in Fig. 7.

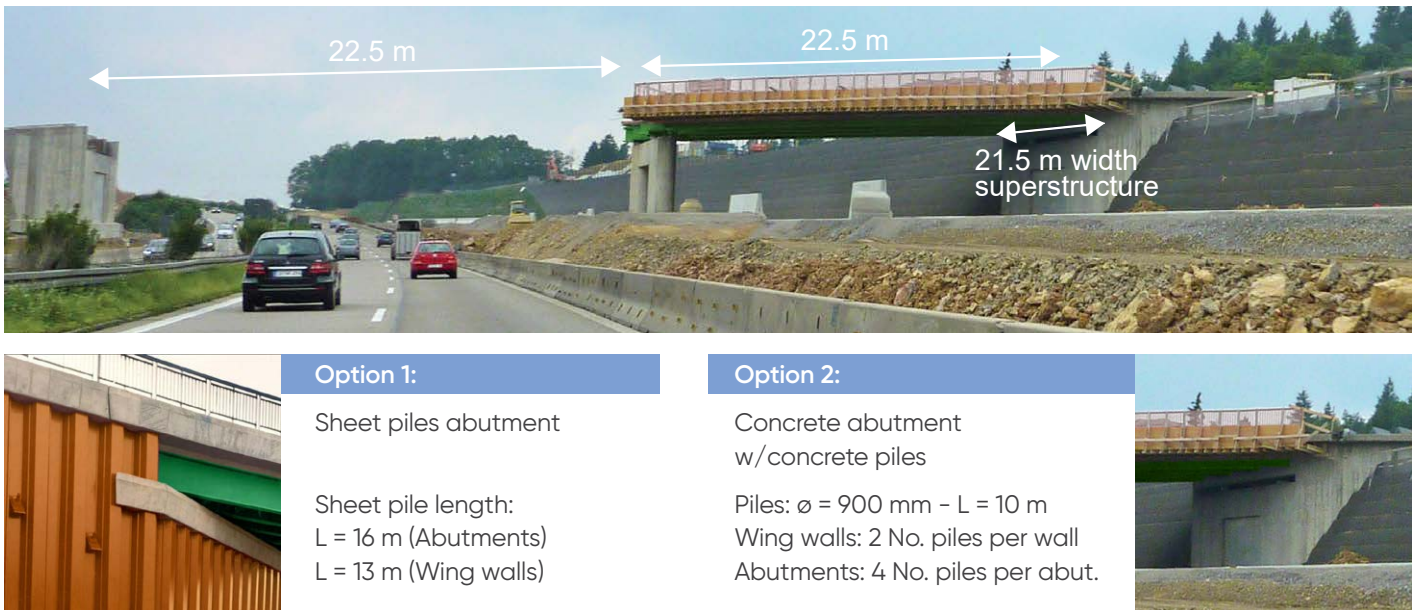


Fig. 7. Standard two-span bridge specification based on a real project: sheet pile abutment vs concrete abutment (ready-mix concrete).

The superstructure was not varied in this analysis. Results are illustrated in Fig. 8. Key findings included:

Construction costs:

- Superstructure and equipment costs are identical for both steel and concrete variants.
- The steel sheet piles abutment saves 21 % in substructure costs compared to the concrete solution.
- Reduced construction site equipment lowers temporal costs for the steel option.
- Overall, the concrete abutment is 8 % more expensive than the steel solution.

Life-cycle costs:

- Calculated over 100 years, summing yearly costs.
- Both variants follow the same maintenance strategy, showing similar cost trends over time.
- A 2 % discount rate reduces the significance of future costs.
- The steel solution's initial 8 % cost advantage decreases to 5 % due to a planned, optional renewal of corrosion protection in year 50.

External costs:

- External costs cover all life-cycle stages for the roads on and below the bridge.
- The steel solution's faster construction (4.5 weeks quicker) results in a 27 % cost saving during erection.

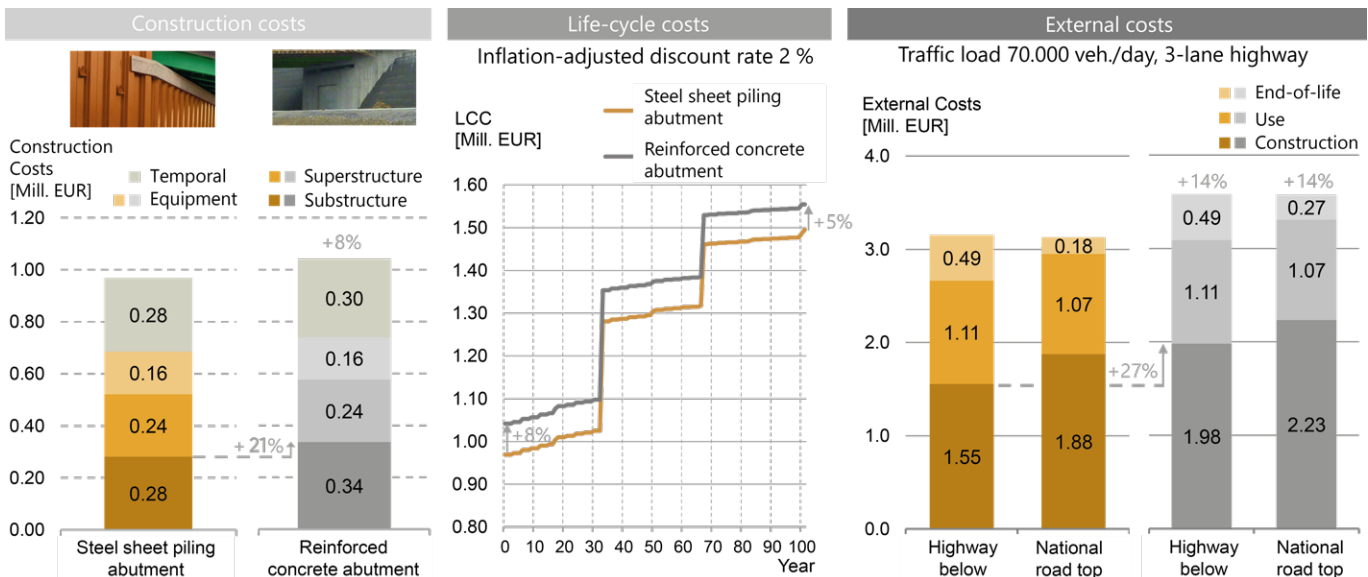


Fig. 8. Holistic life cycle analysis of a standard two-span steel sheet piles bridge abutment vs reinforced concrete bridge abutment.

5.2. Life cycle assessment and global warming potential

Resilient infrastructure is essential to sustain economic prosperity and liveability of the society. On the other hand, approximately 70 % of global greenhouse gas emissions come from infrastructure construction and operations such as power plants, buildings, and transport [15].

To perform an environmental assessment of solutions, an LCA must be carried out. Life-Cycle Inventories (LCI) for the LCA can be found in specific databases, such as GaBi [16], and most software propose the access to several databases in order to be compliant with local or national regulations.

Life-Cycle Inventories (LCI) for products are summarised in an Environmental Product Declaration (EPD); providing reliable and fair information about the environmental impact of a product is one of the objectives of the EPDs.

An EPD is thus a summary, of one or several LCAs for one specific product manufactured, in one or several facilities by the same manufacturer, based on its different uses. For construction products in Europe, one of the applicable standards is EN 15804 (and its latest amendments) [17] and the Product Category Rules (PCR) applicable to the product. The PCR is elaborated by one of the EPD programme operators for specific product categories, for instance a PCR for steel.

The LCA carried out for the comparative (KIT) study was based on the EPD for EcoSheetPile™ published in 2018¹⁾ [18]. If considering the EcoSheetPile™ Plus, produced from 100 % recycled steel and 100 % renewable energy (part of the XCarb® recycled and renewably produced range) and its latest EPD [19], it will lead to further savings in the Global Warming Potential (GWP) of the steel sheet piles, in modules A1-A3.

The environmental impact of sheet pile abutments compared to concrete abutments with concrete piles is shown in Fig. 9.

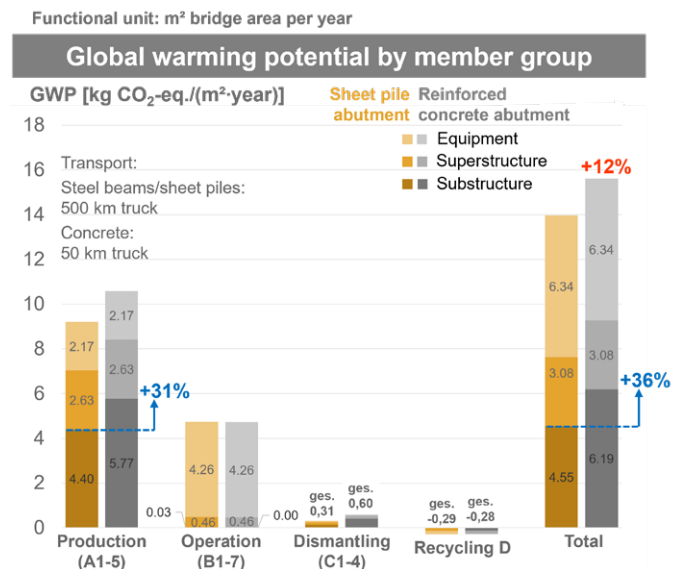


Fig. 9. Comparison of Global Warming Potential by member group: standard two-span bridge: sheet piles abutment versus concrete abutment (ready-mix concrete) [19].

The comparison is based on the same reference bridge as the cost comparisons without varying the superstructure. The GWP difference between steel sheet pile vs concrete abutments is 31 % at production stage.

The emissions in the operation stage and for the recycling are similar for both options. The carbon footprint for the dismantling of the sheet piles abutment is half the one for the concrete abutment.

Effectively, the environmental impact of steel sheet pile vs reinforced concrete abutments differ by 36 %, leading to a 12 % difference in the global warming potential of the overall bridge structure [21].

¹⁾ An EPD is valid for 5 years therefore, this specific EPD expired in 2023. For the latest EPDs please refer to the ArcelorMittal Sheet Piling webpage.

6. Innovation

6.1. New concept for modular composite bridges with integral sheet piling abutments

In the framework of the German funded research project FOSTA P1521, an operational modular connection between the integral sheet pile abutments and the modular composite bridge superstructure is being developed. The focus is on single-span composite road bridges made of hot-rolled profiles up to steel grade S460M.

To cover a wide range of application practice, two different concepts will be elaborated: first, a concept with a high degree of restraints for spans up to 45 m and with a combined wall system (Fig. 10) for the abutments; secondly, a concept with a low degree of restraint for spans up to 25 m and with AZ sheet piles (Fig. 11) for the abutments and VFT-girders made of hot-rolled sections with shear studs for the bridge superstructure. The concept with a high degree of restraint is shown in Fig. 12.

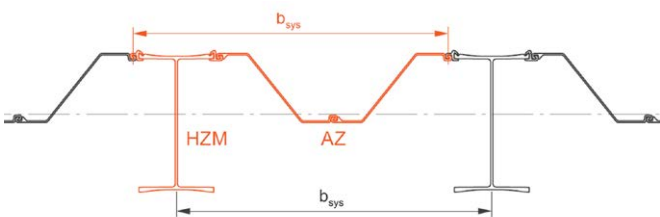


Fig. 10. Combined wall (HZ®-M steel wall system).



Fig. 11. Sheet pile (AZ section).

Additional composite dowel strips are welded on the steel girders as well as on the HZ-piles. The VFT-girders are lifted and placed in the recesses of the front prefabricated elements and are positioned on a console made from steel profile or steel plates with threaded rods. The sheet piles are driven deeper into the soil than the HZ bearing piles to avoid the cutting of holes for the tension bars.

Additional reinforcement such as stirrups constricting the zone of composite dowels are installed. The upper reinforcement of the slab is connected via tension sleeves to the reinforcement in the rear precast elements. Finally, the abutment and the slab are concreted. Vertical forces and moments are thus transferred mostly to the HZ-profiles while the sheet piles take horizontal forces due to the backfill. Tolerances of sheet piles are compensated by the in-situ concrete [22].

The concept with low degree of restraint is currently elaborated and will be presented in future publications. In consequence the present paper solely refers to the concept with a high degree of restraint.

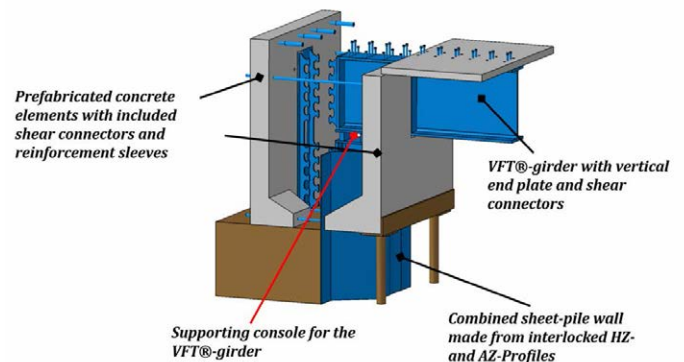


Fig. 12. Concept for a modular solution of sheet pile abutment using precast formwork elements, VFT-girder with shear studs.

In the realm of highway bridge construction, a significant portion of erection costs, 40 % on average, are allocated to constructing abutments. This share rises to 55 % if additional temporary built-ins are needed. As mentioned above, sheet piles offer a unique advantage by serving a dual purpose of acting as both a retaining structure and a permanent bearing element. This eliminates the need for an additional concrete pile foundation. During installation, the steel sheet piles are interconnected to form an integral wall.

Integral abutments typically adhere to two design concepts: low and high degrees of restraint. The former treats the superstructure as hinged at the abutments, minimizing frame action and cost.

The latter, ideal for slender superstructures or larger spans, partly restrains horizontal member rotation with stiff vertical members, a common approach in Germany.

Both concepts are achievable with sheet pile abutments: low restraints (25–45 %) with AZ sheet piles and high restraints (75 %) with combined walls. With thousands of highway bridges slated for replacement, innovative solutions for swift erection with minimal traffic disruption

6.2. Structural health monitoring

Structural health monitoring of bridges has become a crucial concern in today's world.

In response to this growing concern, ArcelorMittal has introduced the concept of SmartSheetPile [24]. This innovative approach involves equipping sheet piles with sensors and utilizing Digital Twin and AI technologies for real time monitoring and alerting (Fig. 13). This solution not only enhances the safety and availability of infrastructures but also makes them more cost-effective across a wide range of project applications. The SmartSheetPile solution helps reducing maintenance costs, optimizing the use of structures and preventing catastrophic and accidental failures.

The introduction of SmartSheetPile offers a significant advantage for ArcelorMittal's Mobility Infrastructures

are imperative. This concept not only reduces construction costs and traffic interference but also minimizes life cycle costs and enhances construction quality sustainably. With steel production under the XCarb® label by ArcelorMittal, the environmental impact is further mitigated, aligning with responsible sourcing, circular economy principles, and sustainable public procurement practices [23].

Solutions, especially in the field of bridge construction, as part of their Application Based Marketing (ABM) strategy. The benefits include:

- **Real-time monitoring** of structural health, loads, and deformations through a network of sensors capable of measuring various parameters, including impacts.
- **Minimized downtime and traffic disruption** by enabling more efficient preventive maintenance compared to traditional sheet piles.
- **Integration** into the asset's Digital Twin.

Additionally, it can be paired with Dixeran®, a reliable declutching detector system for steel sheet piles to monitor the integrity of the walls by ensuring that the sheet piles are properly interlocked at depth.

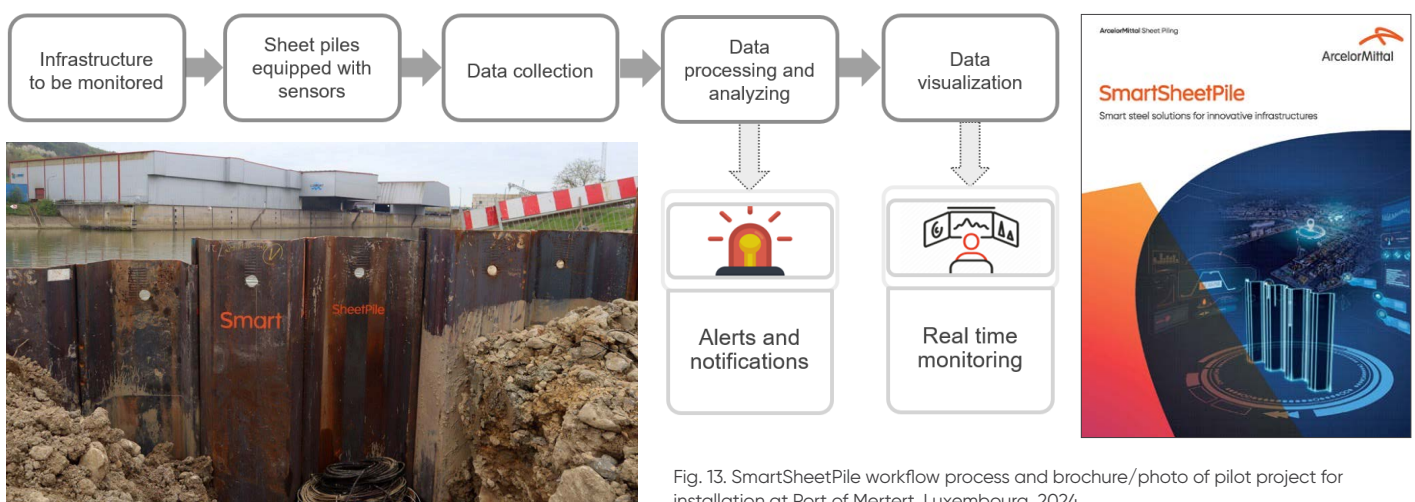


Fig. 13. SmartSheetPile workflow process and brochure/photo of pilot project for installation at Port of Mertert, Luxembourg, 2024.

7. Case studies

Some of ArcelorMittal's reference case studies using steel sheet piles as bridge abutments and/or underpasses, include:

Project information	S8 Expressway – Road underpass under long span bridge WD16 of intersection L1, Poland (2010)
Project owner	GDDKiA
Contractor	Budimex Dromex S.A.; Strabag sp. z o.o.; Mostostal Warszawa S.A., Warbud S.A.
Piling works	Aarsleff sp. z o.o.
Sheet Piles	AZ 37-700, L = 15 m (two rows p/ side)
Total	2,600 t of steel sheet piles



Project information	Road underpass RD 748, Juigne-sur-Loire, France (2018)
Project owner	Anjou
Design engineer (owner)	AIA Ingenierie
Sheet Piles	PU 18, L = 9 m
Total	100 t of steel sheet piles



Project information	Highspeed railway line tunnel. Copenhagen – Ringsted, Denmark (2016)
Project owner	Banedanmark
Design engineer (owner)	Ramboll
Contractor	Per Aarsleff
Design engineer (contractor)	COWI
Sheet Piles	AU 20, L = 6.8 m to 14 m, 3581 t AU 16, L = 6 m to 13 m, 350 t AU 25, L = 6 m to 15 m, 550 t
Total	4,481 t of steel sheet piles



Project information	Road underpass. Lokeren, Belgium (2019)
Client	Infrabel
Design engineer	TUC RAIL nv
Contractor	BESIX nv
Piling works	Kandt bv
Sheet Piles	AZ 18-800, S 355 GP, 3.4 m – 12.4 m, 272 t AZ 25-800, S 355 GP, 12.4 m – 12.6 m, 118 t
Total	390 t of steel sheet piles



Project information	Road bridge «Erste Ellerholzrampe». Hamburg, Germany (2002)
Client	Free and Hanseatic City of Hamburg
Design engineer	F+Z Baugesellschaft GmbH (foundations) SSF Engineers AG (superstructure)
Contractor	F+Z Construction Company Ltd. Heinrich Hecker GmbH & Co KG



Project information	Road bridge, Sprout Brook bridge, Paramus, NJ, USA (2001)
Client	NJDOT
Design engineer	Lichenstein Consulting Engineers, Inc.
Main contractor	Bishop-Sanzari-Creamer JV
Sheet Piles	AZ 36, L = 14.25 m AZ 13, L = 5.00 m



Project information Temporary bridge for the Smart Motorways Scheme on the M4 J3-12, UK (2020)

Project owner Balfour Beatty VINCI

Contractor Jason Bridging (UK) Ltd.

Piling works Dawson-WAM (DW)



Project information Paulo Autran road tunnel. São Paulo, Brazil (2008)

Client SAO PARKING - Concessionaire of the Congonhas S/A car park, Municipal City Council of São Paulo and the Brazilian Airport Infrastructure Corporation, Infraero

Architect Planservi Engenharia Ltda

Design & Contractor Construções e Comercio Camargo Corrêa S/A



For more case studies - visit sheetpiling.arcelormittal.com/our-projects

8. Conclusion

Steel sheet piles offer versatility to accommodate various bridge structure requirements, owing to their wide range of section geometries and thicknesses. They excel in challenging driving conditions, capable of penetrating soils with cemented layers and weak rock formation, and are able to provide a considerably higher bearing resistance and stiffness, particularly if combined.

Regardless of the application, steel sheet piles maintain consistent shape and quality throughout their length, both before and after installation. They can be promptly loaded and tested following installation, ensuring reliable performance [25].

Steel sheet pile abutments are an efficient, sustainable, and cost-effective solution for modern bridge construction. Innovative methods like the KES combined with a low carbon footprint sheet pile (EcoSheetPile™ Plus) can ensure that infrastructure development meets current and future challenges. One of the key advantages of steel sections is their ease of dismantling, recovery, and recycling post-service life. This ensures that no residual materials are left behind, aligning with principles of the circular economy, and contributing to sustainability efforts.

Steel sheet pile abutments are a smart alternative to traditional construction, whenever standing soil needs to be secured, when building below ground water level and whenever the abutment pits need to be protected against flooding.

Composite steel bridges featuring sheet pile abutments stand out as durable structures with minimal maintenance needs and repair requirements. Thanks to the implementation of cutting-edge corrosion protection techniques, these bridges boast a design life of up to 100 years without any component replacement.

The findings from the KIT study underscored the advantages of bridges designed with sheet pile abutments and composite decks made of steel sections. These benefits included:

- An 8% difference in the overall construction costs.
- A residual 5 % advantage in life-cycle costs over a 100-year period.
- Up to 27 % construction cost savings associated to the impact of external factors during the structure's lifetime.
- A confirmed reduction of at least 10 % in total construction time for bridges utilizing sheet pile abutments compared to those with temporary shoring.
- The environmental impact of steel sheet pile vs reinforced concrete abutments differ by 36 %, leading to a 12 % difference in the global warming potential of the overall bridge structure.

The result of the study holistically verifies that, especially for bridges which need to have deep foundations (piled foundations), sheet piles abutments are a viable solution.

9. References

- [1] ArcelorMittal Sheet Piling (2017), Installation Guideline AZ[®]-800 | AZ[®]-750, Luxembourg.
- [2] Witt J.K. (2017), Grundbau-Taschenbuch, Teil 1: Geotechnische Grundlagen, 8th edition. Ernst & Sohn.
- [3] ArcelorMittal Sheet Piling (2024), The HZ[®]-M Steel Wall System, Luxembourg.
- [4] DIBt - Deutsches Institut für Bautechnik (2016), Stahlbetonholm mit Schneidenlagerung zur Einleitung von Vertikal- und Horizontalkräften in Stahlspundwandbohlen der Firma ArcelorMittal, Allgemeine Bauartgenehmigung, Z-15.6-235, Berlin.
- [5] ArcelorMittal Sheet Piling (2022), Knife Edge Support, Schneidenlagerung, Luxembourg.
- [6] ArcelorMittal Sheet Piling (2022), Piling Handbook 9th edition, Luxembourg.
- [7] ArcelorMittal Sheet Piling (2020), Dixeran, Luxembourg.
- [8] EN 1993-5 (2009): Eurocode 3: Design of steel structures - Part 5: Piling.
- [9] CEN, EN ISO 12944 (2019): Paints and varnishes - Corrosion protection of steel structures by protective paint systems, Parts 1 - 9, Brussels.
- [10] ArcelorMittal Sheet Piling (2024), Steel Foundation Solutions, General Catalogue, Luxembourg.
- [11] Rademacher D.; Barceló A.; Hechler O., (2020). Advanced Bridge Solutions with low life-cycle costs, Proceedings of IABSE Wroclaw.
- [12] Zinke T., Hechler O., Rademacher D., (2020). Holistic Life Cycle Analysis of Bridge Solutions, Proceedings of Eurosteel Sheffield, Ernst & Sohn.
- [13] Kuhlmann U. et al, (2016). Ganzheitliche Bewertung von Stahl- und Verbundbrücken nach Kriterien der Nachhaltigkeit, Forschungsvorhaben P 843/IGF-Nr. 353 ZN, Forschungsvereinigung Stahlanwendung e.V., ISBN 978-3-942541-93-0, Verlag und Vertriebsgesellschaft GmbH, Düsseldorf.
- [14] Zinke T., (2016), Nachhaltigkeit von Infrastrukturbauwerken – Ganzheitliche Bewertung von Autobahnbrücken unter besonderer Berücksichtigung externer Effekte. Karlsruher Institut für Technologie (KIT). Karlsruhe: KIT Scientific Publishing.
- [15] Zinke T., (2017), Neue Brücken braucht das Land, Frankfurter Allgemeine Zeitung, Verlagsspezial.
- [16] Sphera, «GaBi LCA databases» (2022). [Online]. Available: <https://lcadatabase.sphera.com/>
- [17] CEN, EN 15804:2012+A2:2019 + AC:2021 (2022): Sustainability of construction works - Environmental product declarations - Core rules for the product category of construction products, Brussels.
- [18] ArcelorMittal Commercial RPS, (2018). EcoSheetPiles™ EPD, IBU e.V.
- [19] ArcelorMittal Commercial RPS, (2023). EcoSheetPile™ Plus – Steel Sheet Piles, EPD S-P-11071, EPD International (valid until 12/11/2028).
- [20] Zinke T. (2022), Gesamtheitliche Bewertung von Brücken mit kleinen und mittleren Spannweiten, KIT Stahl- und Leichtbau, University of Karlsruhe.
- [21] Tibolt M., Rademacher D., Martins J., Hechler O., (2022), Lowering the environmental impact of infrastructures with efficient design of low carbon footprint steel solutions, Proceedings of Mosty Symposium, Brno.
- [22] Tibolt M., Neto D., Rittich N., Ivanov S. and Ochojski W. (2023), Advanced Solutions with Hot-Rolled Sections and Sheet Piles for Economical and Sustainable Bridges, Proceedings of Mosty Symposium, Brno.
- [23] Tibolt M., et al. (2022). Modular Composite Bridges with Integral Sheet Piling Abutments for a time efficient construction, Proceedings of IABSE Prague.
- [24] ArcelorMittal Sheet Piling (2022), SmartSheetPile, Smart steel solutions for innovative infrastructures, Luxembourg.
- [25] ArcelorMittal Sheet Piling Newsletter (2009), Successful load bearing test of AZ-700 steel sheet piles in Poland, Luxembourg.

Other references:

DIN Deutsches Institut für Normung. ISO 9224 (2012). Corrosion of metals and alloys – Corrosivity of atmospheres – Guiding values for the corrosivity categories. Berlin.

Friederich H. (2018). Aktuelle Herausforderungen und zukünftige Entwicklungen im Brückenbau im Bundesfernstraßennetz (Current challenges and future developments for bridge constructions in the federal highway network). N° 6, Stahlbau, p. 87.

IBU (Institut Bauen und Umwelt e.V.). (2017). EPD-ARM-20170033-IBD1-EN: Structural steel sections in HISTAR grades. Berlin: s.n.

Kuhlmann U., Maier P.H. and et al. (2013). Sustainable steel-composite bridges in built environment (SBRI). Brüssel: RFCS Publications, RFCS final report, RFSR-CT-2009-00020.

Kuhlmann U., Pascual A. and et al. (2018). SBRI+ Design Manual II - Advanced Applications.

Schmitt V., Seidl G., Vogel C. (2006). Untersuchungen zum verstärkten Einsatz von Stahlverbundkonstruktionen bei Brücken kleiner und mittlerer Stützweiten. Abschlussbericht, Forschungsvereinigung Stahlanwendungen e.V., p. P629.

Steel Construction Institute & Steel Piling Group (2023). Specifiers' guide to steel piling, 2nd edition (P308). SCI Publication.



Disclaimer

The data and commentary contained within this steel sheet piling document is for general information purposes only. It is provided without warranty of any kind. ArcelorMittal Commercial RPS S.à r.l. shall not be held responsible for any errors, omissions or misuse of any of the enclosed information and hereby disclaims any and all liability resulting from the ability or inability to use the information contained within.

Anyone making use of this material does so at his/her own risk. In no event will ArcelorMittal Commercial RPS S.à r.l. be held liable for any damages including lost profits, lost savings or other incidental or consequential damages arising from use of or inability to use the information contained within. Our sheet pile range is liable to change without notice.

ArcelorMittal Commercial RPS S.à r.l.

Sheet Piling

66, rue de Luxembourg

L-4221 Esch-sur-Alzette

sheetpiling@arcelormittal.com

sheetpiling.arcelormittal.com